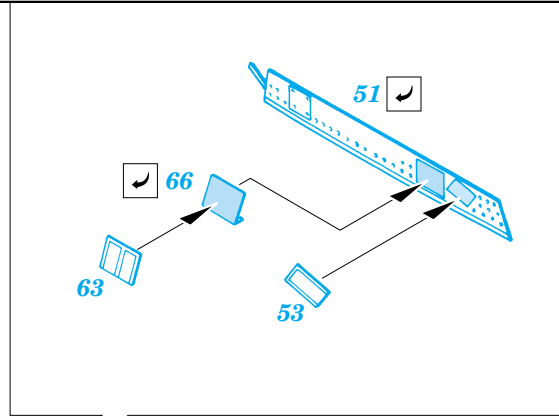
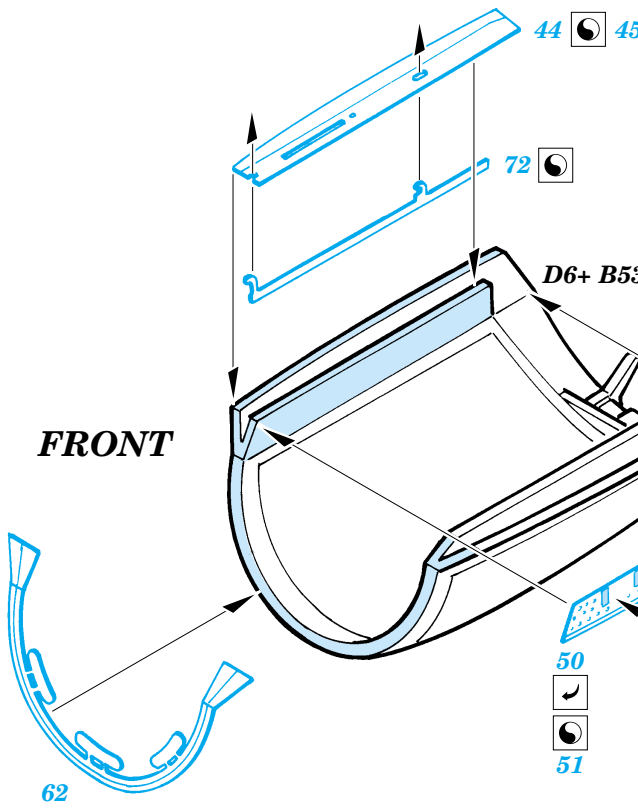
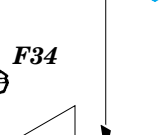
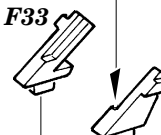
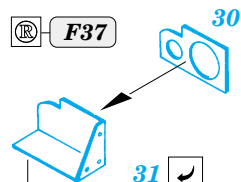
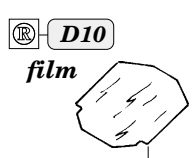
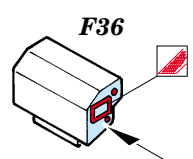


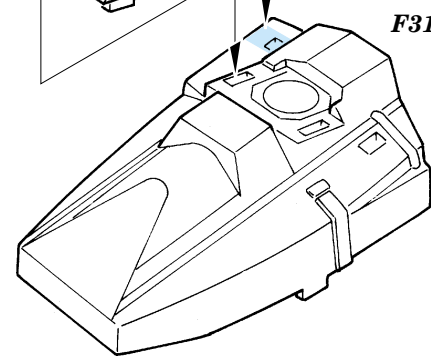
FRONT



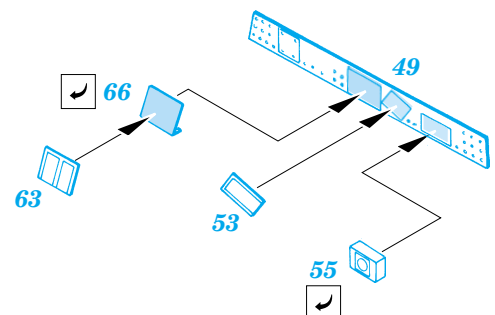
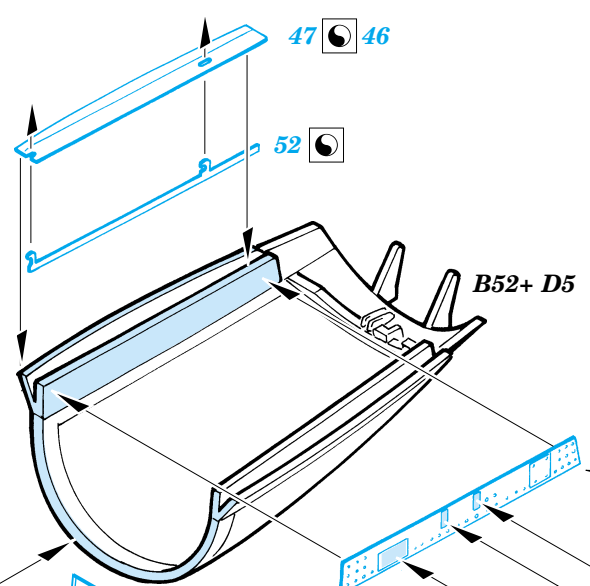
plastic
 Ø - 1mm
 l - 3mm



F31



REAR



REFERENCES:
 Detail & Scale #43 - F-4C, F-4D & RF-4C PHANTOM II